

**Phase cut /Triac Dimmable LED driver Linear version - constant voltage 60W (IP20 with terminal)**

**■ Features :**

- Output constant voltage
- Range: 200-240VAC
- Built-in active PFC function Power Factor: up to 0.96
- Efficiency up to 85%
- Dimming range: 0-100%
- Load: 10-100%
- Protection:short circuit/over loading/ Over temperature
- PWM output, does not change the color index
- Full protection plastic case, IP20 for indoor installation
- Flicker-free
- Compatible with leading edge and trailing edge TRIAC dimmers
- Cooling by free air convection
- Suitable for LED lighting and moving sign applications

**Whole Family**  
**KVF-XXXXX-TDHS 12V24VDC**  
**30W 36W 60W 100W**  
**Plastic Linear**



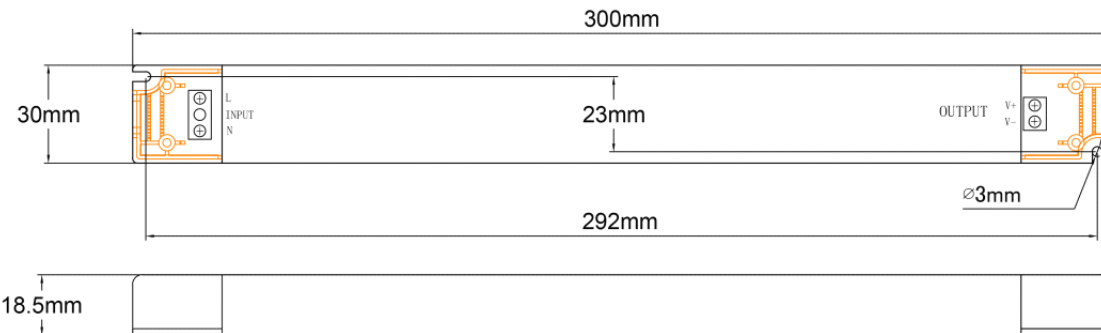
**■ Specification**

Model		KVF-12060-TDHS	KVF-24060-TDHS
<b>Output</b>	DC Voltage	12V	24V
	Voltage Tolerance	±0.5V	
	Voltage Regulation	±0.5%	
	Rated current	5A	2.5A
	Rated power	60W	
	Load Regulation	± 2%	
<b>Input</b>	Voltage Range	200-240VAC	
	Frequency Range	47 - 63Hz	
	Power Factor(Typ.)@ full load	PF≥0.96/230VAC	
	THD(Typ. ) @ full load	<20%	
	Efficiency(Typ.)@ full load	84%	85%
	AC Current(Max.)	0.37A/200VAC	0.37A/200VAC
	Inrush Current (Typ.)	50A,50%,136us@230VAC	
	Leakage current	<0.5mA	
<b>Protection</b>	Short Circuit	shut down o/p voltage, re-power on to recover after fault condition is removed	
	Over Load	≤120% constant current limiting, auto-recovery	
	Over temperature	100°C±10°C	
	Protection Class	II	
<b>Environment</b>	Working TEMP.	-40~+60°C (see below derating curve)	
	Working Humidity	20 - 95%RH,non-condensing	
	Storage TEM.,Humidity	-40 - +80°C,10 - 95%RH	
	TEMP.coefficient	±0.03%/°C(0 - 50°C)	
	Vibration	10~500Hz, 2G 10min./1 cycle,period for 60min. each along X,Y,Z axes	
<b>Safety &amp; EMC</b>	Safety standards	EN61347-1 EN61347-2-13 EN62493	
	Withstand voltage	I/P-O/P:3.75KVAC I/P-FG:1.88KVAC O/P-FG:0.5KVAC	
	Isolation resistance	I/P-O/P I/P-FG O/P-FG: 100MΩ/500VDC/25°C/70%RH	

**Phase cut /Triac Dimmable LED driver Linear version - constant voltage 60W (IP20 with terminal)**

	EMC Emission	EN55015 EN61000-3-2 EN61000-3-3
	EMC Immunity	EN61000-4-2,3,4,5,6,11 EN61547
<b>Others</b>	Net Weight	0.3Kg
	Dimension	300*30*18.5mm(L*W*H)
	packing	50pcs /CTN SIZE: 330X330X130mm
<b>Notes</b>	1. All parameters NOT specially mentioned are measured at 230VAC input , rated load and 25°C of ambient temperature. 2. Tolerance: includes set up tolerance, line regulation and load regulation . 3. The power supply is considered as a component that will be operated in combination with final Equipment. Since EMC performance will be affected by the complete installation, the final equipment manufactures must be-qualify EMC Directive on the complete installation again.	

**■ Mechanical Specification**



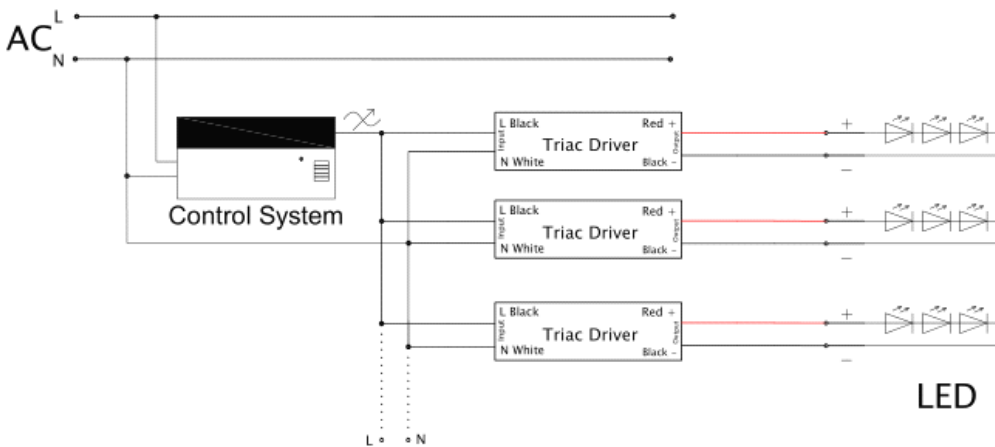
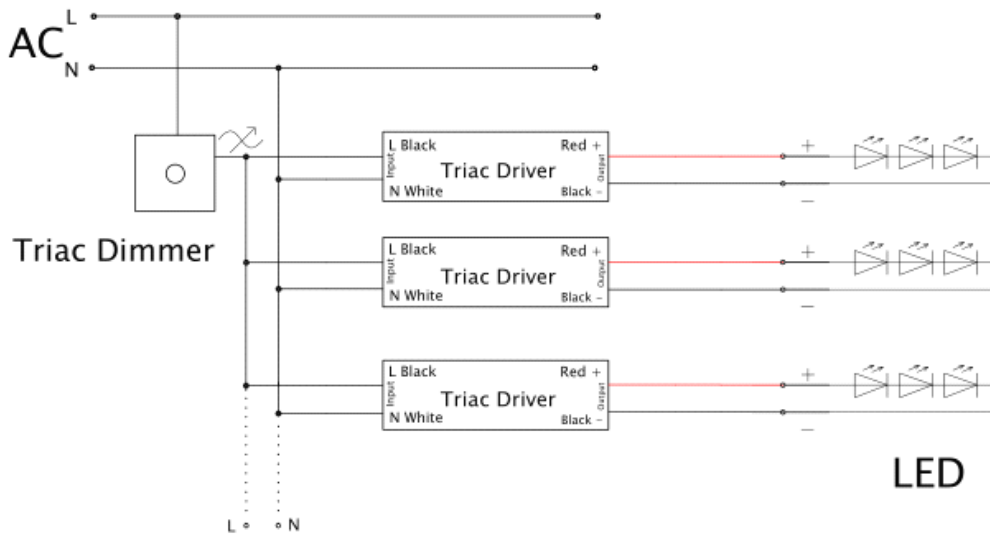
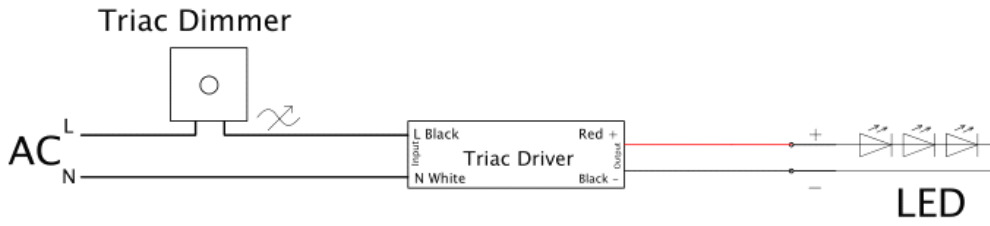
- ※ Input terminals: (L)and (N) to connect to L and N of Mains AC
- ※Output terminals: "Red" (+) to LED Positive side (+) , "Black"(-) to LED Negative side (-).
- ※Suggested wire diameter : Input 0.75–2.5mm<sup>2</sup>;Output 0.5-2.5mm<sup>2</sup>
- ※Please make sure your connect these correctly otherwise your product will not function correctly and could be damaged.
- ※Note: Any other requests we can customized.

**■Dimming Operation**

- ※The Pulse-Width Modulation (PWM) of output voltage can be adjusted through input terminal of the AC phase line(L) by connection a phase/triac dimmer.
- ※Usually matching with leading edge and trial edge Triac Dimmers both;
- ※Please try to use dimmers with power at least 1.5 times as the output power of the driver.

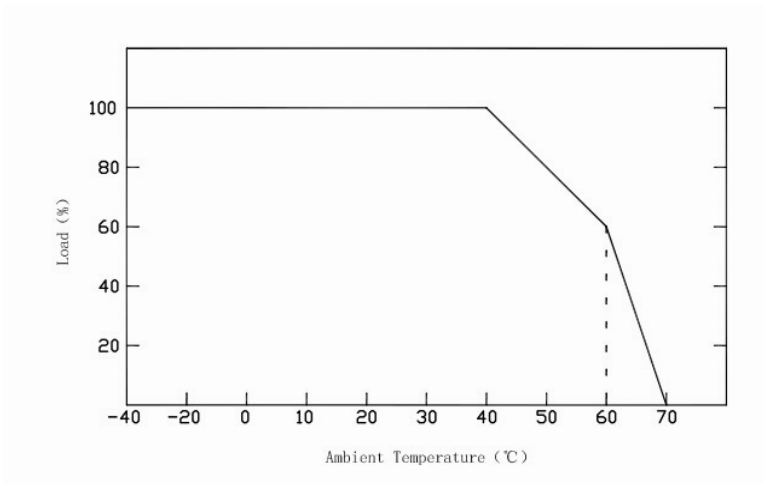
**Phase cut /Triac Dimmable LED driver Linear version - constant voltage 60W (IP20 with terminal)**

**■ Connecting Diagram**



**Phase cut /Triac Dimmable LED driver Linear version - constant voltage 60W (IP20 with terminal)**

**Derating Curve**



※To extend their life, please refer to the Derating Curve and derate according to the temperature.

**Instruction:**

- 1)This driver should be installed by qualified and professional person;
- 2)Please make sure the driver is installed with adequate ventilation around it to allow for heat dissipation.
- 3)Ensure that wiring is correct before test in order to avoid light and power supply damage;
- 4)If driver Cannot work normally, don't maintain privately; Have any question, please contact Zuhai Shengchang.

Please visit our website or contact us for more information! [www.scpower.net.cn](http://www.scpower.net.cn)