

Phase cut /Triac Dimmable LED driver Linear version - constant voltage 150W (IP66)

■ Features:

Whole Family with Linear version
 KVF-xxxxx-TDHL 12V 24VDC
 30W 36W 60W 100W 150W



- Output constant voltage
- Range: 200-240VAC
- Built-in active PFC function Power Factor: up to 0.95
- Efficiency up to 92%
- Dimming range: 0-100%
- Load: 10-100%
- Protection:short circuit/over loading/ Over temperature
- PWM output, does not change the color index
- Full protection plastic case, IP66for indoor and outdoor installation
- Flicker-free
- Compatible with leading edge and trailing edge TRIAC dimmers
- Cooling by free air convection
- Suitable for LED lighting and moving sign applications



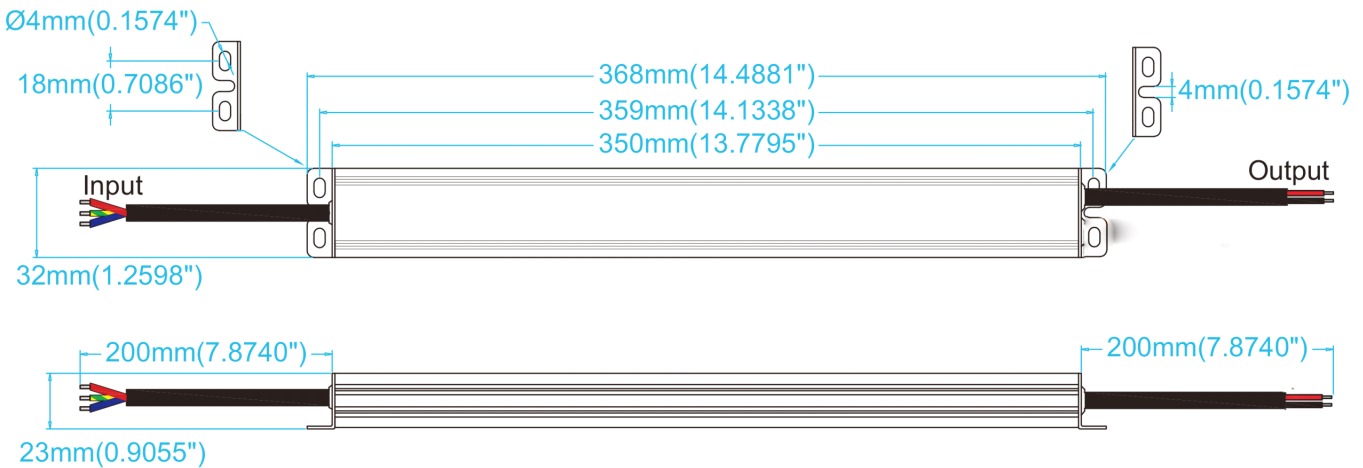
■ Specification

Model		KVF-12150-TDHL	KVF-24150-TDHL
Output	DC Voltage	12V	24V
	Voltage Tolerance	±0.5V	
	Voltage Regulation	± 0.5%	
	Rated current	12.5A	6.25A
	Rated power	150W	
	Load Regulation	±2%	
Input	Voltage Range	200-240VAC	
	Frequency Range	47 - 63Hz	
	Power Factor(Typ.)@ full load	PF≥0.95/230VAC	
	THD(Typ.) @ full load	≤ 20%	
	Efficiency(Typ.)@ full load	90%	92%
	AC Current(Max.)	0.95A/200VAC	0.95A/200VAC
	Inrush Current (Typ.)	47.5A/312uS@50%Ipeak 230VAC	
	Leakage current	<0.5mA	
Protection	Short Circuit	Hiccup mode ,recovers automatically after fault condition is removed	
	Over Load	≤120% constant current limiting, auto-recovery	
	Over temperature	100°C±10°C	
	Protection Class	I	
Environment	Working TEMP.	-40~+60°C (see below derating curve)	
	Working Humidity	20 - 90%RH,non-condensing	
	Storage TEM.,Humidity	-40 - +80°C,10 - 95%RH	
	TEMP.coefficient	±0.03%/°C(0 - 50°C)	

Phase cut /Triac Dimmable LED driver Linear version - constant voltage 150W (IP66)

	Vibration	10~500Hz, 5G 10min./1 cycle,period for 60min. each along X,Y,Z axes
Safety & EMC	Safety standards	EN61347-1 EN61347-2-13
	Withstand voltage	I/P-O/P:3.75KVAC I/P-FG:1.88KVAC O/P-FG:0.5KVAC
	Isolation resistance	I/P-O/P I/P-FG O/P-FG: 100MΩ/500VDC/25℃/70%RH
	EMC Emission	EN55015 EN61000-3-2 EN61000-3-3
	EMC Immunity	EN61000-4-2,3,4,5,6,11 EN61547
Others	Net Weight	0.55Kg
	Dimension	368*32*23mm(L*W*H)
	packing	30pcs /CTN SIZE
Notes	<ol style="list-style-type: none"> All parameters NOT specially mentioned are measured at 230VAC input , rated load and 25℃of ambient temperature. Tolerance: includes set up tolerance, line regulation and load regulation . The power supply is considered as a component that will be operated in combination with final Equipment. Since EMC performance will be affected by the complete installation, the final equipment manufactures must be-qualify EMC Directive on the complete installation again. 	

■ Mechanical Specification



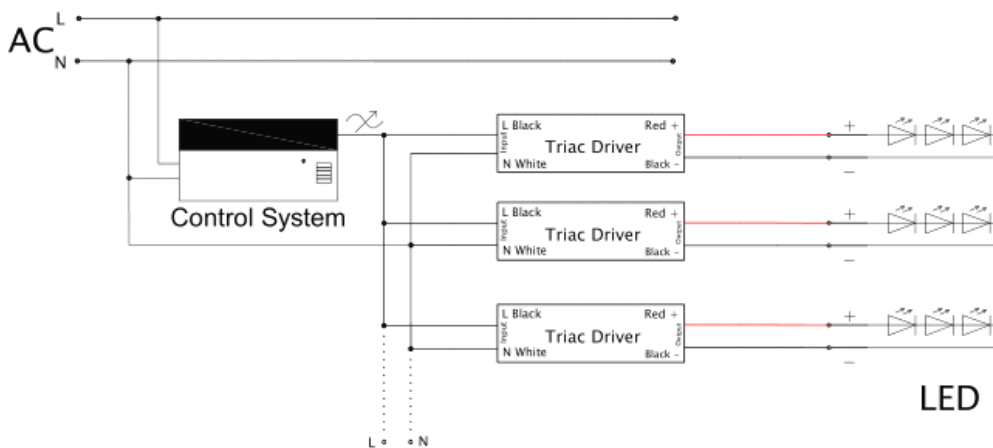
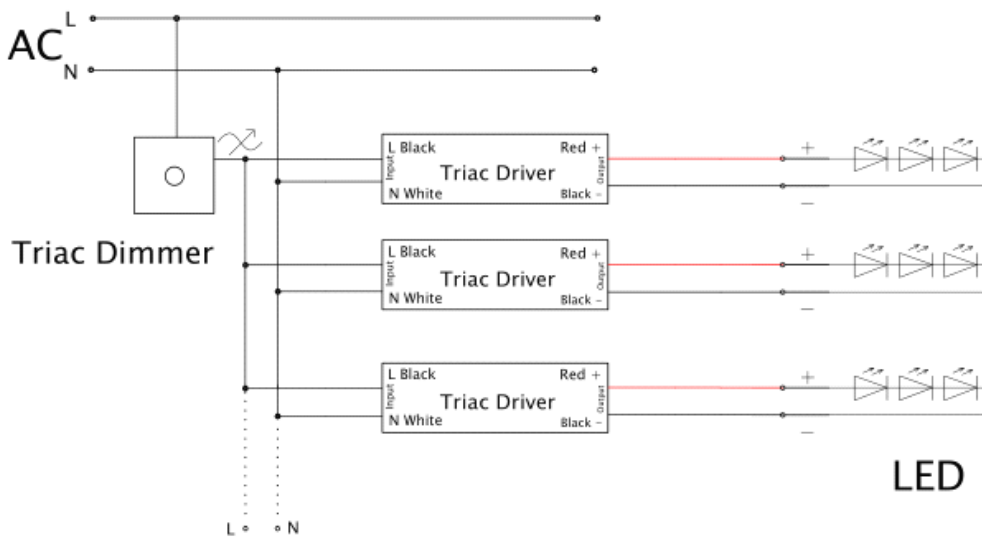
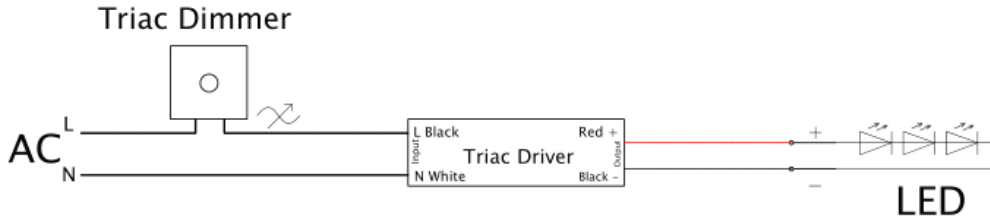
- ※ Input : Cable H05RN-F 3*1.0mm² Brawn(L)and Blue(N) to connect to L and N of Mains AC;the green /yellow cable connect with (FG),
- ※Output : Cable H05RN-F 2*1.5mm² "Red" (+) to LED Positive side (+) , "Black"(-) to LED Negative side (-).
- ※Please make sure your connect these correctly otherwise your product will not function correctly and could be damaged.
- ※Note: Any other requests we can customized.

■Dimming Operation

- ※The Pulse-Width Modulation (PWM) of output voltage can be adjusted through input terminal of the AC phase line(L) by connection a phase/triac dimmer.
- ※Usually matching with leading edge and trial edge Triac Dimmers both;
- ※Please try to use dimmers with power at least 1.5 times as the output power of the driver.

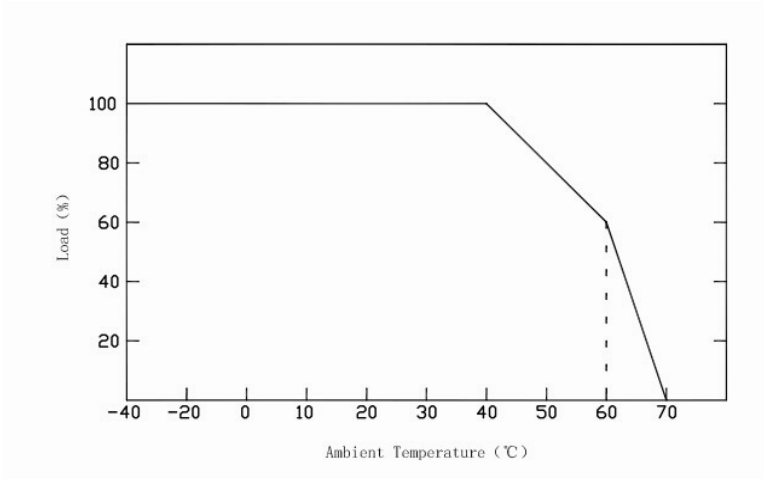
Phase cut /Triac Dimmable LED driver Linear version - constant voltage 150W (IP66)

■ Connecting Diagram



Phase cut /Triac Dimmable LED driver Linear version - constant voltage 150W (IP66)

Derating Curve



※To extend their life, please refer to the Derating Curve and derate according to the temperature.

Instruction:

- 1)This driver should be installed by qualified and professional person;
- 2)Please make sure the driver is installed with adequate ventilation around it to allow for heat dissipation.
- 3)Ensure that wiring is correct before test in order to avoid light and power supply damage;
- 4)If driver Cannot work normally, don't maintain privately; Have any question, please contact Zhuhai Shengchang.

Please visit our website or contact us for more information! www.scpower.net.cn