

Triac dimmable driver---Constant Voltage PWM output series 320W

■Features



- Output constant voltage
- Range AC input: 200-240VA
- Built-in active PFC function
- Efficiency :up to 90%
- Protections:short circuit/over loading/over temperature
- Full protection aluminum housing easy installation
- IP66 design for outdoor installation
- Cooling by free air convection
- Work with leading edge and trailing edge TRIAC dimmers
- Strong compatibility, flicker-free dimming
- Suitable for LED lighting and moving sign applications

■ Specification



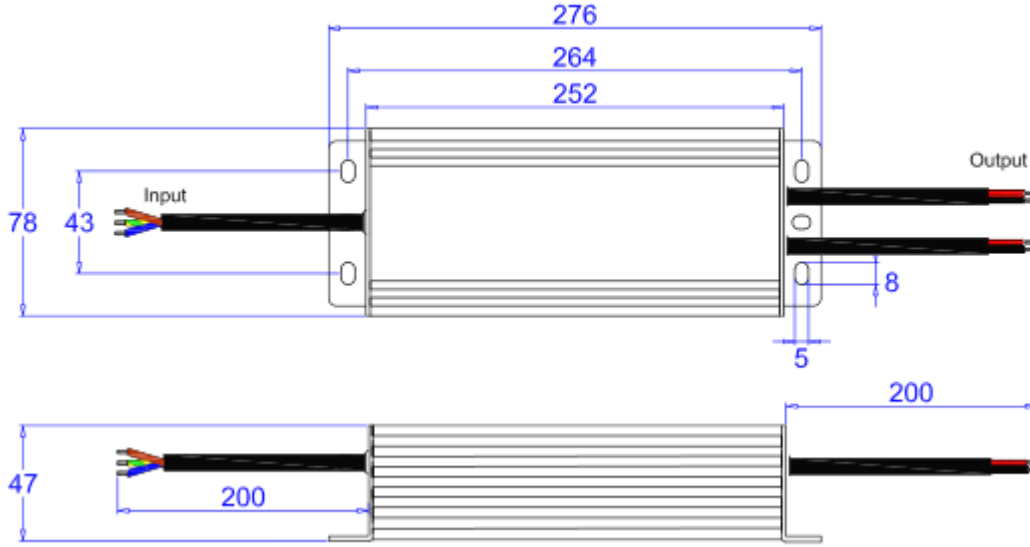
IP66 SELV

Model		KVF-12320-TDH	KVF-24320-TDH
Output	DC Voltage	12V	24V
	Voltage Tolerance	±0.5V	
	Rated current	26.6A	13.3A
	Rated power	320W	
Input	Voltage Range	200-240V AC	
	Frequency Range	47-63HZ	
	Power Factor	PF≥0.95 (Full loading)	
	Full Load Efficiency(Typ.)	88%	90%
	AC Current (Max.)	2.2A	2.2A
	Leakage current	<0.50mA	
Protection	Short Circuit	No output, remove the fault and re-power on to recover	
	Over load	≤120%	
	Over Temperature	100°C±10°C shut down o/p voltage, re-power on to recover	
Environment	Working TEMP.	-40~+60°C (Refer to Derating Curve -- Page 4)	
	Working Humidity	20~95%RH,non-condensing	
	Storage TEM.,Humidity	-40~+80°C,10~95%RH	
	TEMP.coefficient	±0.03%/°C(0~40°C)	
	Vibration	10 - 500Hz, 5G 12min./1 cycle, period for 72min.each along X,Y,Z axes.	
Safety&EMC	Safety standards	EN61347-1 EN61347-2-13	
	Withstand voltage	I/P-O/P:3.75KVAC I/P-FG:1.88KVAC O/P-FG:0.5KVAC	
	Isolation resistance	I/P-O/P I/P-FG O/P-FG:100MΩ/500VDC/25°C/70%RH	
	EMC EMISSION	EN55015,EN61000-3-2,3 (≥60%loading)	
	EMC Immunity	EN61000-4-2,3,4,5,6 ,11,EN61547	
Others	Weight	1.67kg	
	Size	276*78*47mm(L*W*H)	
	packing	336*121*61mm inner box, 350*310*260mm outside carton 10PCS /CTN	
Notes	1. All parameters NOT specially mentioned are measured at 230VAC input , rated load and 25°C		

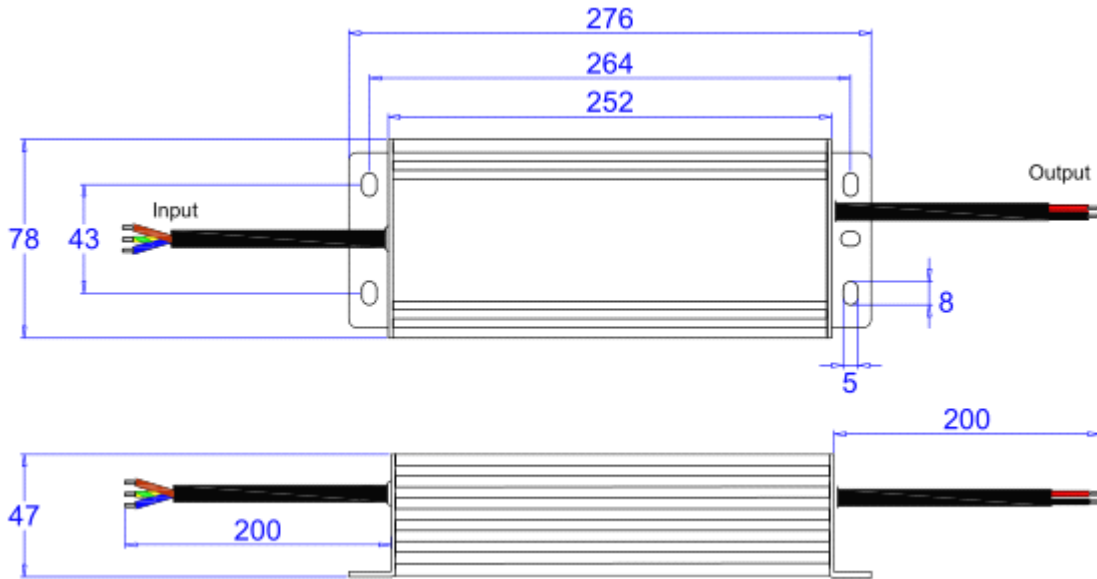
Triac dimmable driver---Constant Voltage PWM output series 320W

- of ambient temperature.
- 2. To extend the driver's using life ,please reduce the loading at lower input voltage.
- 3.Loading range from 10% to 100%

■Mechanical Specification



KVF-12320-TDH



KVF-24320-TDH

Input ● L Brown Y/G ● N Blue	ZHUHAI SHENGCHANG ELECTRONICS CO.,LTD. Made in China	LED Driver (Triac Dimming - Leading edge & Trailing edge) Constant Voltage Model: KVF-...TDH Input: 200-240V~ 50/60Hz Output: ...W ta: 40°C tc: 80°C For LED module only Building 3, No.19, Yongtian Road, Qianshan Industrial Zone, Zhuhai City, Guangdong Province, China	• tc 	+ Red ● Output - Black ●
		SELV 110 M/M IP66		

※Input Rubber cable H05VV-F 3*1.0mm² ,the green /yellow cable connect with (FG),Brown with AC (L),Blue with

Triac dimmable driver--Constant Voltage PWM output series 320W

AC(N)

※Output Rubber cable SJTW 14AWG (2*2.08mm²) ,Red is output(V+) Positive,Black is output (V-) negative.Connected to LED Lamps.

※Please make sure you connect these correctly otherwise your product will not function correctly and could be damaged.

※Note: If you have any other requests, we can customized for you.

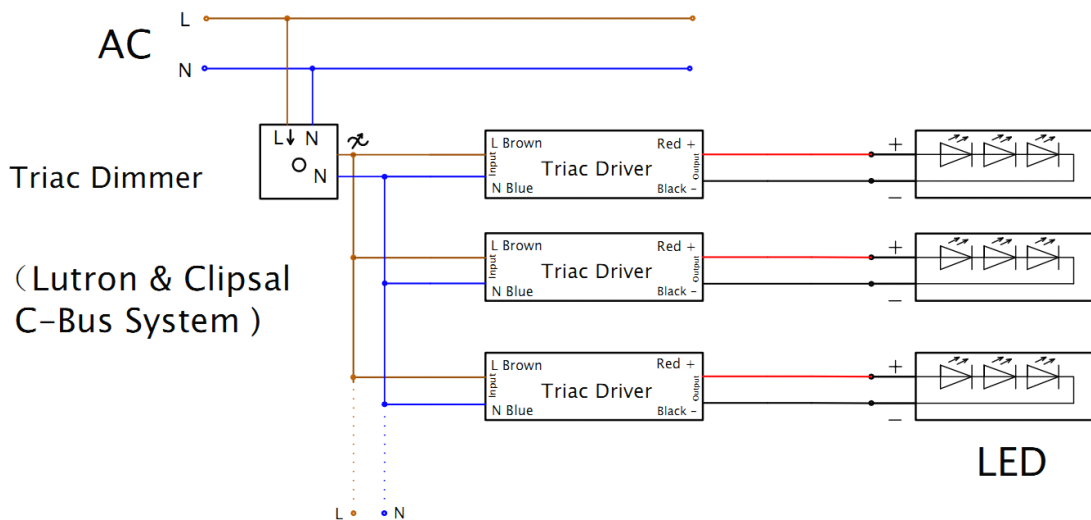
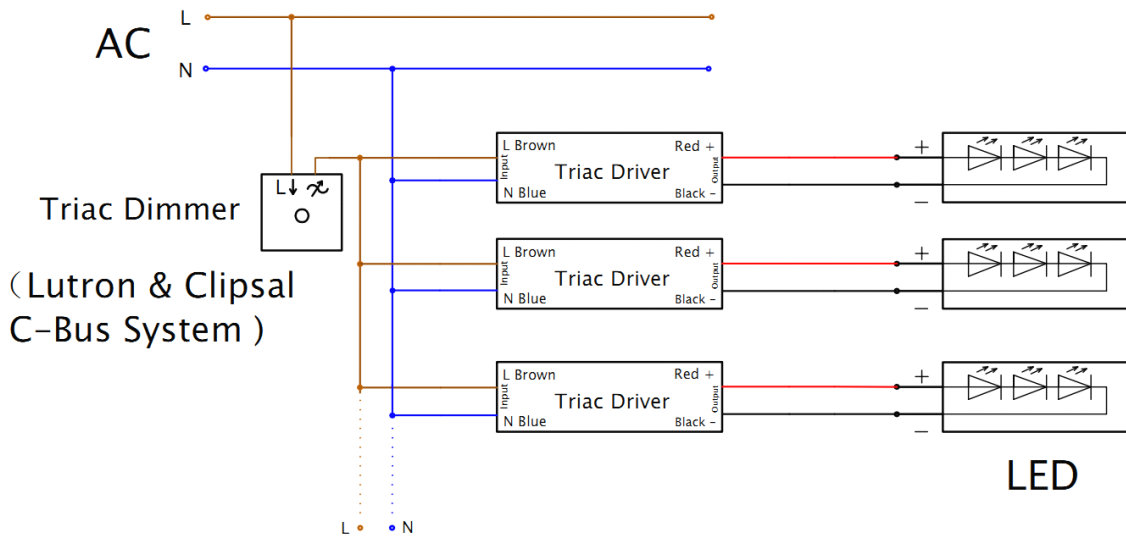
■Dimming Operation

※Output constant current level can be adjusted through input terminal of the AC phase line(L) by connection a triac dimmer.

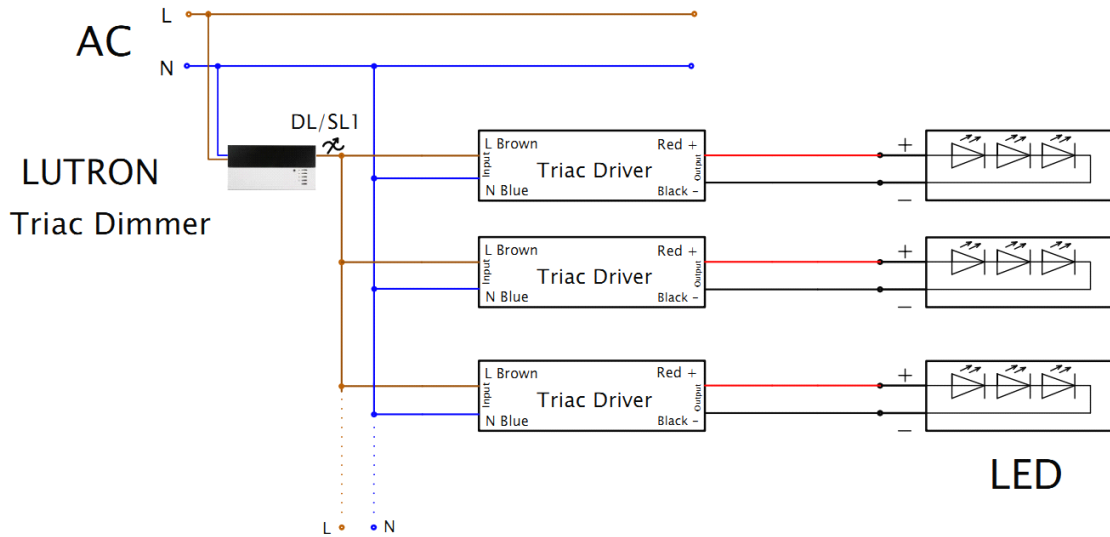
※Compatible with Leading edge and tailing edge triac dimmers.

※Please use a dimmer with max. power at least 1.5 times than the load.

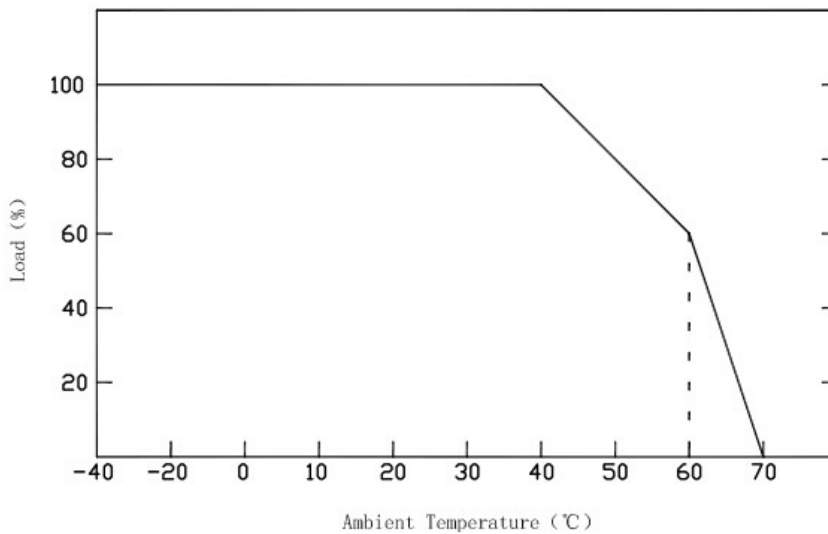
■ Connecting Diagram



Triac dimmable driver---Constant Voltage PWM output series 320W



Derating Curve



※To extend their life, please refer to the Derating Curve and derate according to the temperature.

Instruction

- 1) This driver should be installed by qualified and professional person;
- 2) Please make sure the transformer is installed with adequate ventilation around it allow for heat dissipation.
- 3) Ensure that wiring is correct before test in order to avoid light and power supply damage;
- 4) If driver cannot work normally, don't maintain privately, please contact with Shengchang.

If you have any other questions, please feel free to contact with ZHUHAI SHENGCHANG ELECTRONICS CO., LTD.