

Triac dimmable driver---Constant Voltage PWM output series 150W

■Features



- Output constant voltage
- Range AC input: 200-240VA
- Built-in active PFC function
- Efficiency :up to 90%
- Protections:short circuit/over loading/over temperature
- Full protection aluminum housing easy installation
- IP66 design for outdoor installation
- Cooling by free air convection
- Work with leading edge and trailing edge TRIAC dimmers
- Strong compatibility, flicker-free dimming
- Suitable for LED lighting and moving sign applications

■ Specification



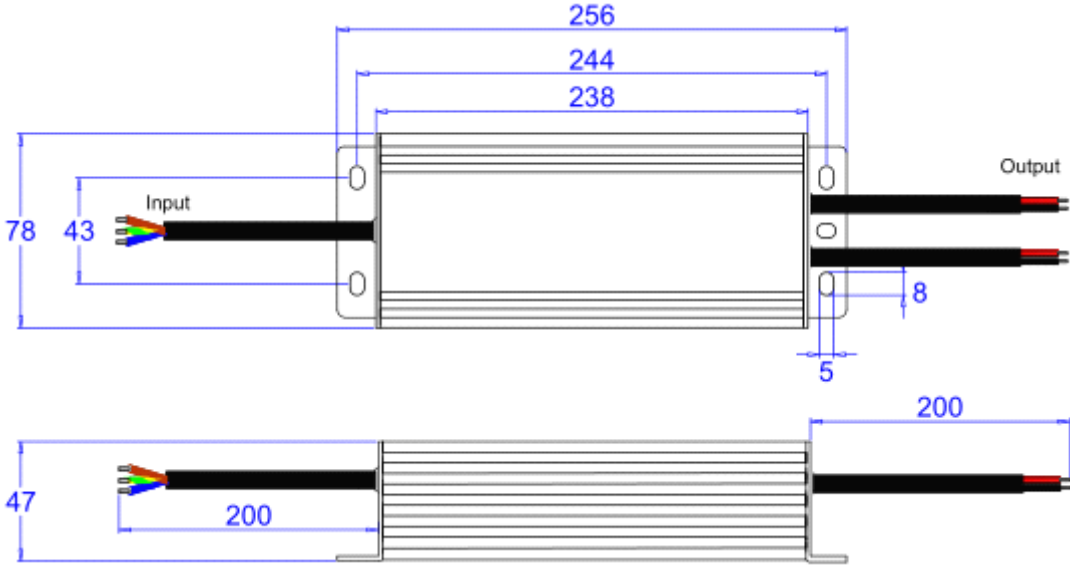
IP66 SELV

Model		KVF-12150-TDH	KVF-24150-TDH
Output	DC Voltage	12V	24V
	Voltage Tolerance	±0.5V	
	Rated current	12.5A	6.25A
	Rated power	150W	
Input	Voltage Range	200-240V AC	
	Frequency Range	47-63HZ	
	Power Factor	PF≥0.95 (Full loading)	
	Full Load Efficiency(Typ.)	88%	90%
	AC Current (Max.)	1.2A	1.2A
	Leakage current	<0.50mA	
Protection	Short Circuit	Hiccup mode,recovers automatically after fault condition is removed	
	Over load	≤120%	
	Over Temperature	100°C±10°C shut down o/p voltage, re-power on to recover	
Environment	Working TEMP.	-40~+60°C (Refer to Derating Curve -- Page 4)	
	Working Humidity	20~95%RH,non-condensing	
	Storage TEM.,Humidity	-40~+80°C,10~95%RH	
	TEMP.coefficient	±0.03%/°C(0~40°C)	
	Vibration	10 - 500Hz, 5G 12min./1 cycle, period for 72min.each along X,Y,Z axes.	
Safety&EMC	Safety standards	EN61347-1 EN61347-2-13	
	Withstand voltage	I/P-O/P:3.75KVAC I/P-FG:1.88KVAC O/P-FG:0.5KVAC	
	Isolation resistance	I/P-O/P I/P-FG O/P-FG:100MΩ/500VDC/25°C/70%RH	
	EMC EMISSION	EN55015,EN61000-3-2,3 (≥60%loading)	
	EMC Immunity	EN61000-4-2,3,4,5,6 ,11,EN61547	
Others	Weight	1.45kg	
	Size	265*78*47mm(L*W*H)	
	packing	265*83*65mm inner box, 340*280*185mm outside carton 10PCS /CTN	
Notes	1. All parameters NOT specially mentioned are measured at 230VAC input , rated load and 25°C		

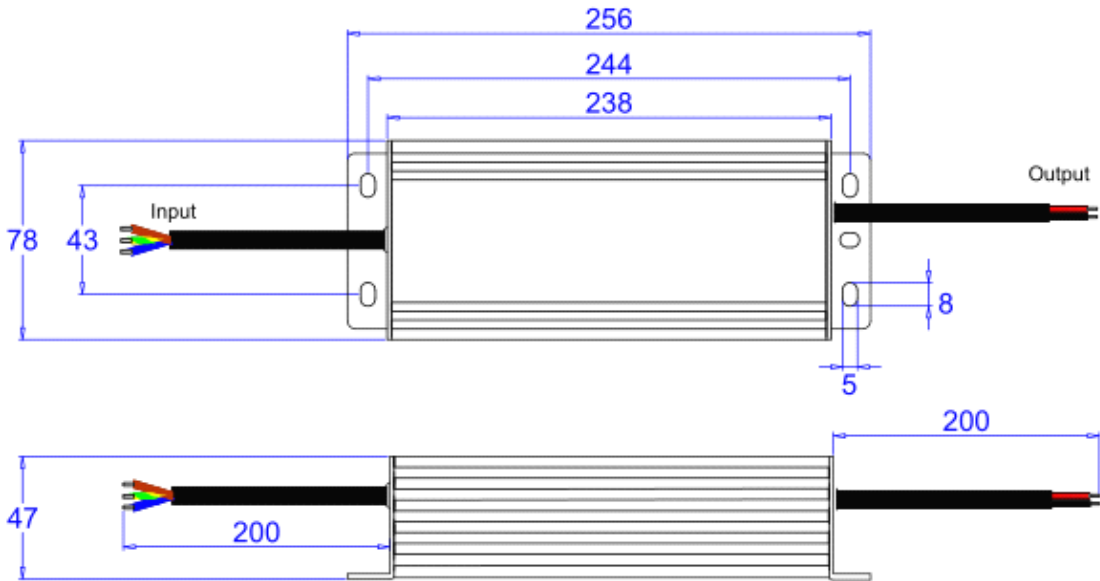
Triac dimmable driver---Constant Voltage PWM output series 150W

- of ambient temperature.
- 2. To extend the driver's using life ,please reduce the loading at lower input voltage.
- 3.Loading range from 10% to 100%

■Mechanical Specification



KVF-12150-TDH



KVF-24150-TDH

<ul style="list-style-type: none"> ● L Brown ● N Blue 	<p>ZHUHAI SHENGCHANG ELECTRONICS CO.,LTD.</p> <p>Made in China</p>	<p>LED Driver (Triac Dimming - Leading edge & Trailing edge)</p> <p>Constant Voltage</p> <p>Model: KVF-...TDH</p> <p>Input: 200-240V~ 50/60Hz</p> <p>Output: ...W</p> <p>ta: 40°C tc: 80°C For LED module only</p> <p><small>Building 3, No.19, Yongtian Road, Qianshan Industrial Zone, Zuhai City, Guangdong Province, China</small></p>	<ul style="list-style-type: none"> ● + Red ● - Black
<p>Input</p> <p>Y/G</p> <p>⊕</p>		<p>• tc</p>	<p>Output</p>

※Input Rubber cable H05RN-F 3*1.0mm² ,the green /yellow cable connect with (FG),Brown with AC (L),Blue with

Triac dimmable driver--Constant Voltage PWM output series 150W

AC(N)

※Output Rubber cable H07RN-F 2*1.5mm²,Red is output(V+) Positive,Black is output (V-) negative.Connected to LED Lamps.

※Please make sure you connect these correctly otherwise your product will not function correctly and could be damaged.

※Note: If you have any other requests, we can customized for you.

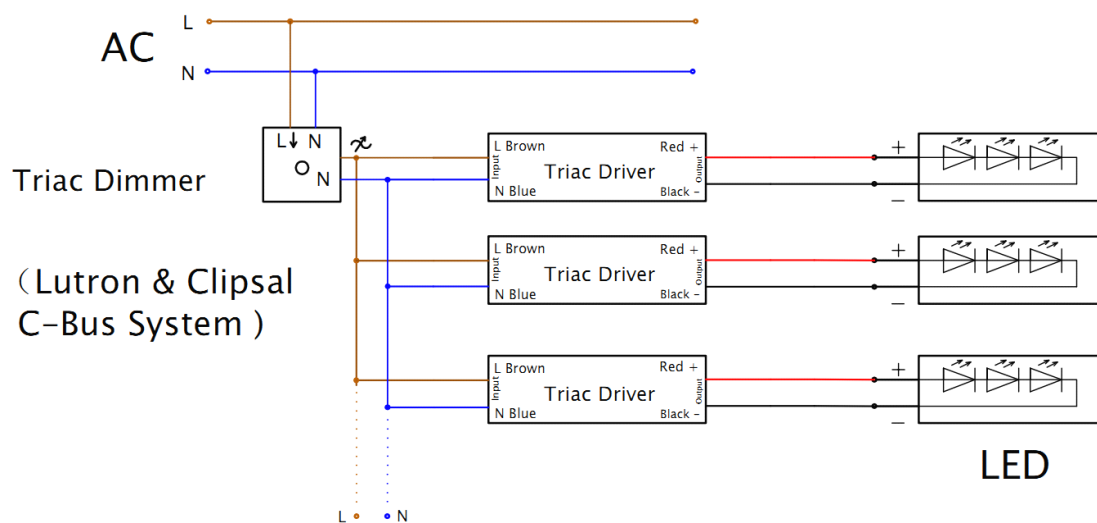
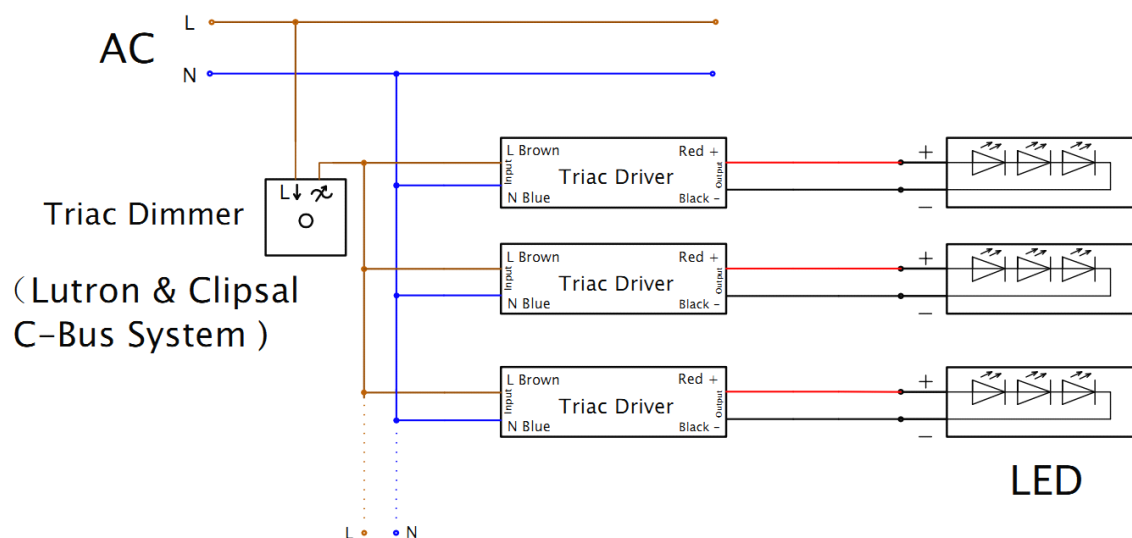
■Dimming Operation

※Output constant current level can be adjusted through input terminal of the AC phase line(L) by connection a triac dimmer.

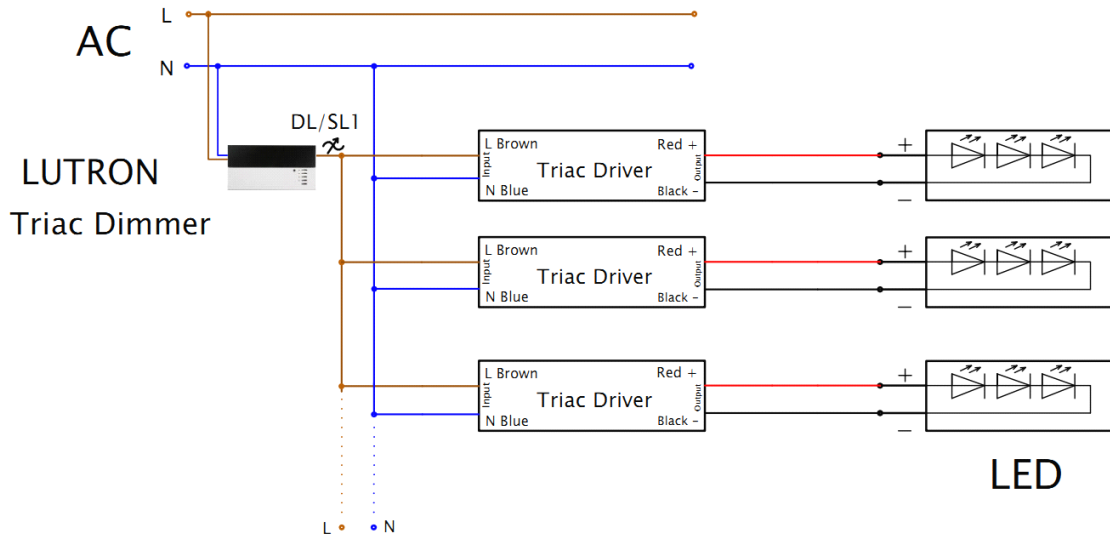
※Compatible with Leading edge and tailing edge triac dimmers.

※Please use a dimmer with max. power at least 1.5 times than the load.

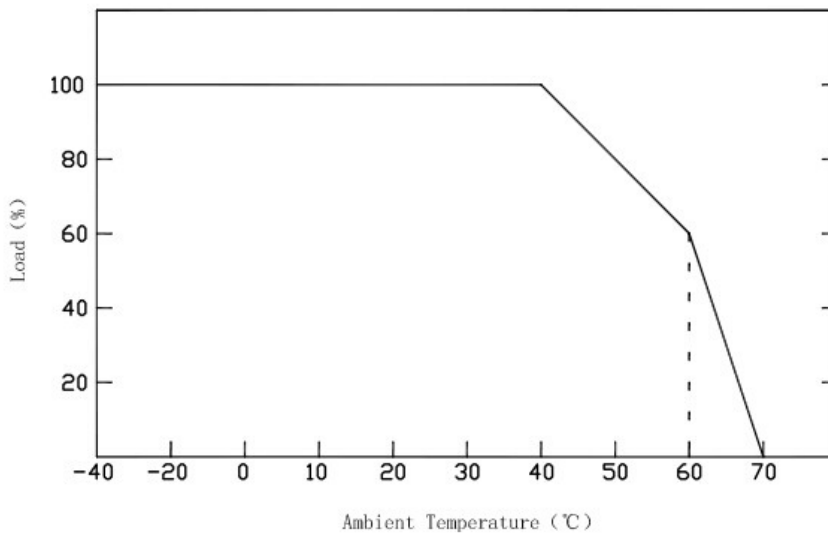
■ Connecting Diagram



Triac dimmable driver---Constant Voltage PWM output series 150W



Derating Curve



※To extend their life, please refer to the Derating Curve and derate according to the temperature.

Instruction

- 1) This driver should be installed by qualified and professional person;
- 2) Please make sure the transformer is installed with adequate ventilation around it allow for heat dissipation.
- 3) Ensure that wiring is correct before test in order to avoid light and power supply damage;
- 4) If driver cannot work normally, don't maintain privately, please contact with Shengchang.

If you have any other questions, please feel free to contact with ZHUHAI SHENGCHANG ELECTRONICS CO., LTD.