

Triac dimmable driver---Constant Voltage PWM output series 100W

■Features



- Output constant voltage
- Range AC input:180-240VA
- Built-in active PFC function
- Efficiency :up to 87 %
- Protections:short circuit/over loading/over current /Over temperature
- Full protection aluminum housing easy installation IP66 design for outdoor installation
- Cooling by free air convection
- Work with leading edge and trailing edge TRIAC dimmers
- Strong compatibility, flicker-free dimming
- Suitable for LED lighting and moving sign applications
- 5 years warranty

■ Specification

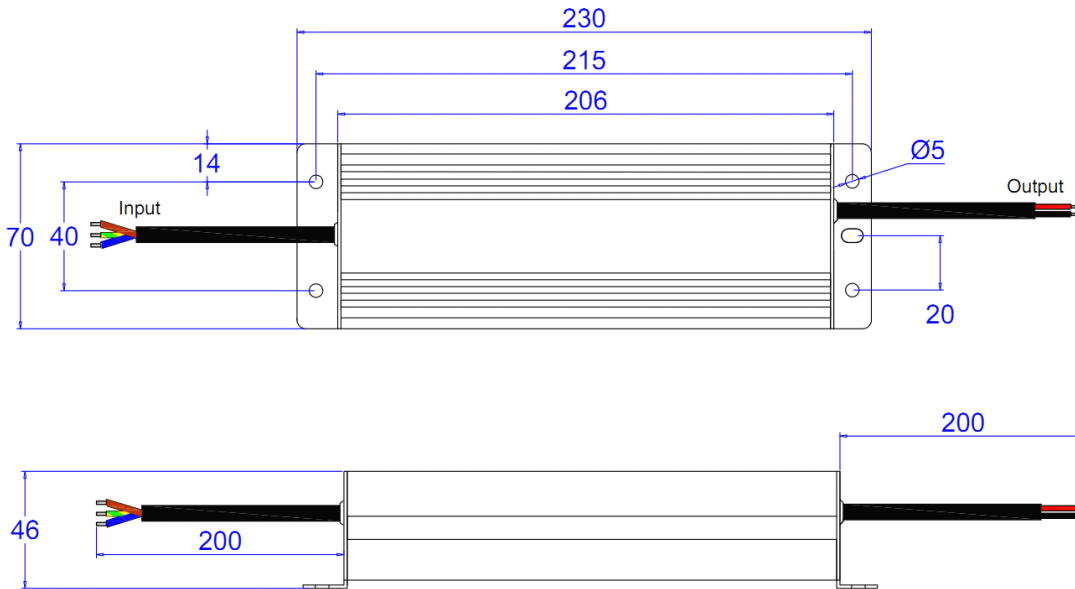


Model		KVF-12100-TDH	KVF-24100-TDH
Output	DC Voltage	12V	24V
	Voltage Tolerance	±0.5V	
	Rated current	8.3A	4.17A
	Rated power	100W	
Input	Voltage Range	180-240V AC	
	Frequency Range	47-63Hz	
	Power Factor	PF ≥ 0.95 (Full loading)	
	Full Load Efficiency(Typ.)	85 %	87 %
	AC Current (Max.)	0.7 A	0.7A
	Leakage current	<0.50mA	
Protection	Short Circuit	Hiccup mode,recovers automatically after fault condition is removed	
	Over load	≤120%	
	Over Current	≤1.2*I out	
	Over Temperature	100°C±10°C shut down o/p voltage, re-power on to recover	
Environment	Working TEMP.	-40~+60°C (Refer to Derating Curve -- Page 4)	
	Working Humidity	20~95%RH,non-condensing	
	Storage TEM.,Humidity	-40~+80°C,10~95%RH	
	TEMP.coefficient	±0.03%/°C(0~50°C)	
	Vibration	10 - 500Hz, 5G 12min./1 cycle, period for 72min.each along X,Y,Z axes.	
Safety&EMC	Safety standards	EN61347-1 EN61347-2-13	
	Withstand voltage	I/P-O/P:3.75KVAC I/P-FG:1.88KVAC O/P-FG:0.5KVAC	
	Isolation resistance	I/P-O/P I/P-FG O/P-FG:100MΩ/500VDC/25°C/70%RH	
	EMC EMISSION	EN55015,EN61000-3-2,3 (≥ 60%loading)	
Others	Weight	1.1Kg	
	Size	230*70*46mm(L*W*H)	
	packing	245*80*58mm inner box324*279*176mm outside carton10 PCS /CTN	

Triac dimmable driver---Constant Voltage PWM output series 100W

Notes	<ol style="list-style-type: none"> 1. All parameters NOT specially mentioned are measured at 230VAC input , rated load and 25°C of ambient temperature. 2. To extend the driver's using life ,please reduce the loading at lower input voltage. 3.Loading range from 10% to 100%
--------------	---

■Mechanical Specification



※Input Rubber cable H05RN-F 3G 1.0mm²,the green /yellow cable connect with (FG),Brown with AC (L),Blue with AC(N)

※Output Rubber cable H05RN-F2 1.0mm²,Red is output(V+) Positive,Black is output (V-) negative.Connected to LED Lamps.

※Please make sure you connect these correctly otherwise your product will not function correctly and could be damaged.

※Note: Any other requests we can customized.

■Dimming Operation

※Output constant current level can be adjusted through input terminal of the AC phase line(L) by connection a triac dimmer.

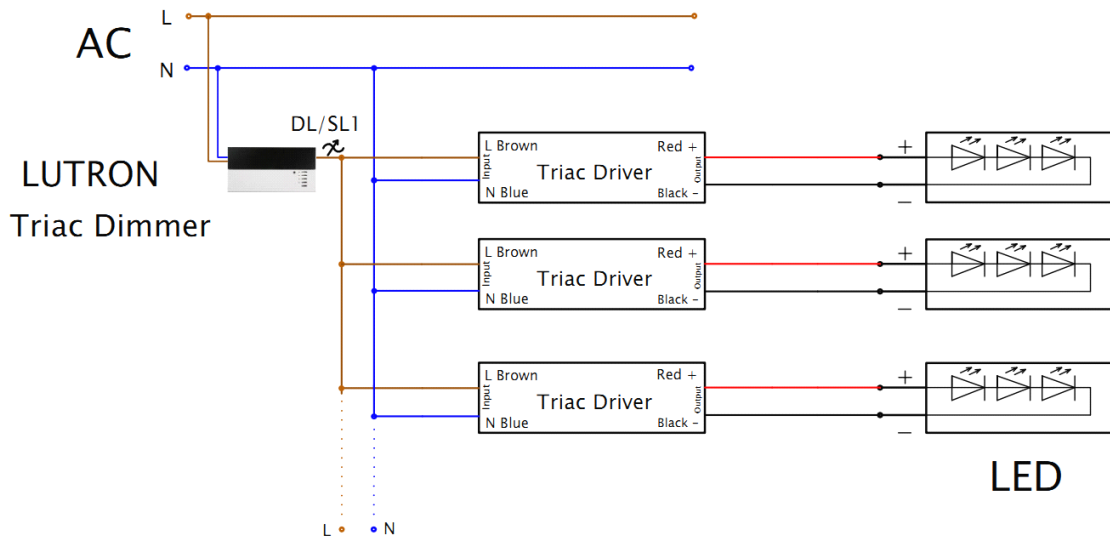
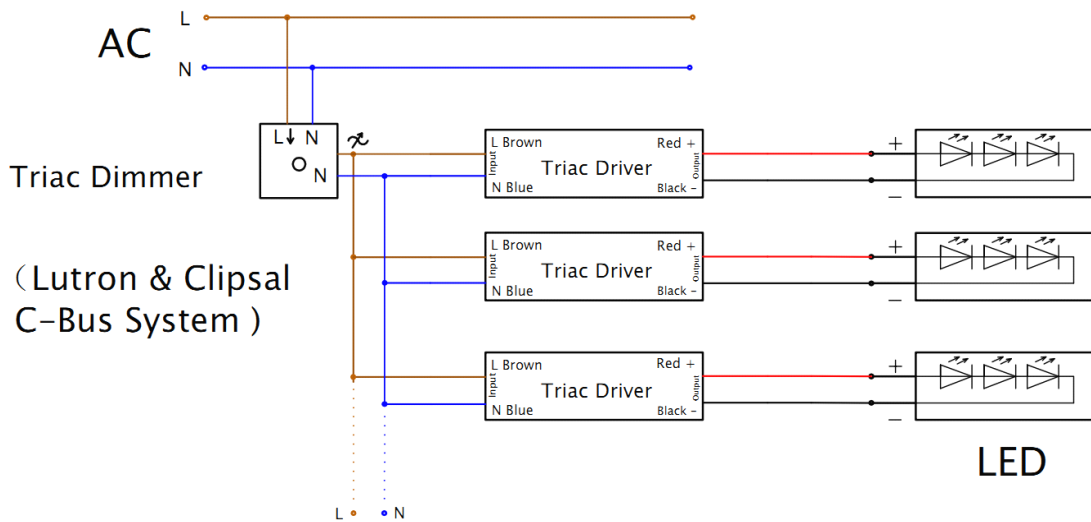
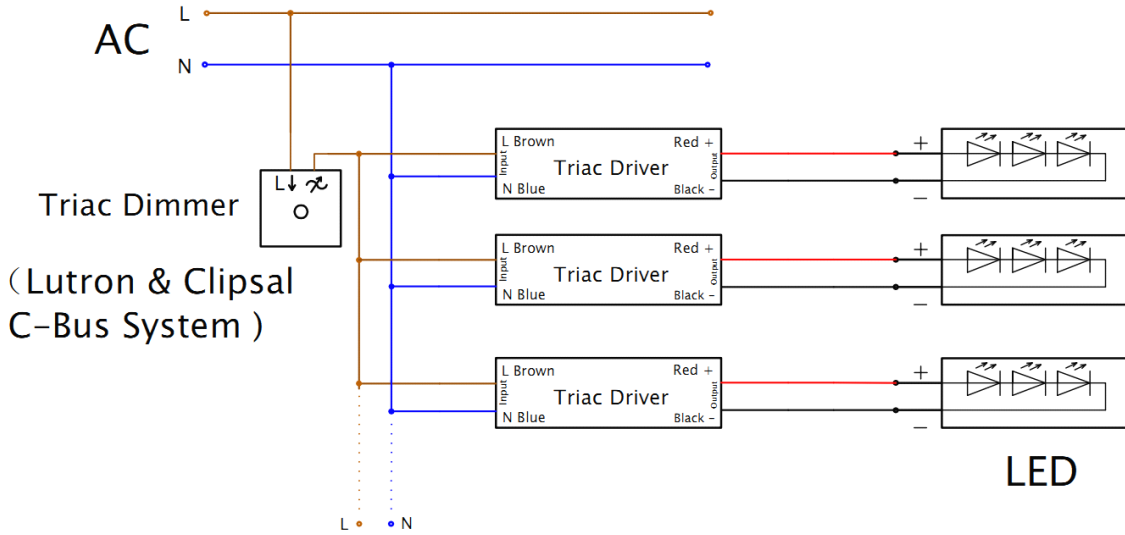
※Compatible with Leading edge and tailing edge triac dimmers.

※please try to use the small power dimmer, have access to a wider dimming range, high-power dimmer is difficult to achieve the output current to zero

※please try to use dimmers with power at least 3 times as the output power of the driver.

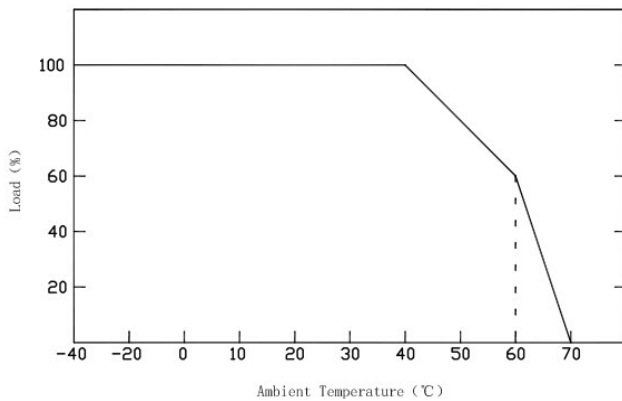
Triac dimmable driver--Constant Voltage PWM output series 100W

■ Connecting Diagram



Triac dimmable driver---Constant Voltage PWM output series 100W

Derating Curve



※To extend their life, please refer to the Derating Curve and derate according to the temperature.

Instruction

- 1) This driver should be installed by qualified and professional person;
- 2) Please make sure the transformer is installed with adequate ventilation around it allow for heat dissipation.
- 3) Ensure that wiring is correct before test in order to avoid light and power supply damage;
- 4) If driver cannot work normally, don't maintain privately;have any question,please contact Shengchang.

Any other question please feel free to contact with ZHUHAI SHENGCHANG ELECTRONICS CO.,LTD.