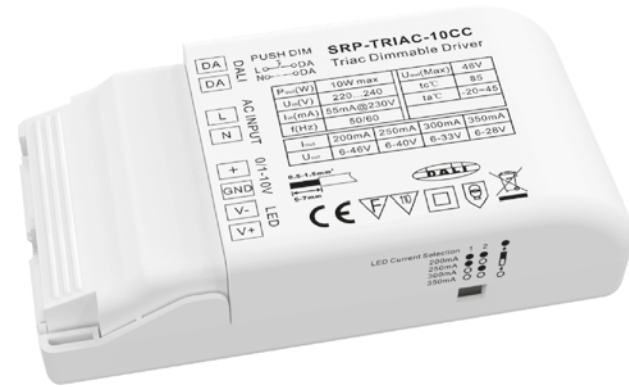


Premium LED Universal Netzteil All-Dimm 10W



constant
CURRENT

flicker free



ACTIVE PFC **DIP-SWITCH** **SAFETY PROTECTIONS**



Rate Voltage
220-240VAC

Frequency
50...60 Hz

AC Operation range
200...264 V

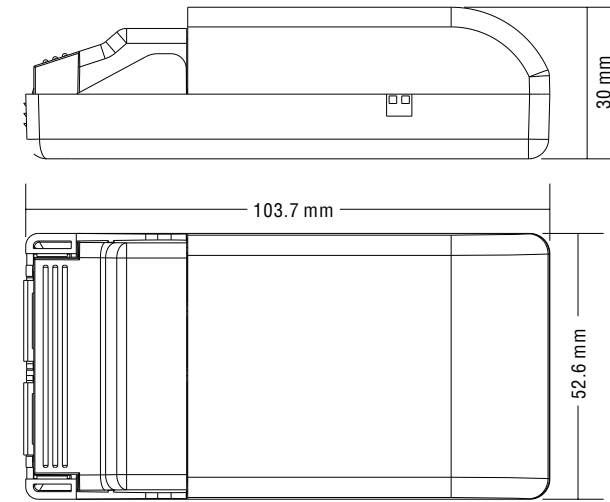
Power
0...10W

Part No.	Dimming Input	Output Channel	P out(W)	V out(DC)	I out(mA)	V out max.	ta°C	tc°C	λ max. Power Factor	η max. Efficiency
SRP-TRIAC-10CC	DALI+triac+ 0/1-10V+AC Push	1 CH	8	6...43	200	43	-20...+45	85	>0.9	>80%
			10	6...40	250					
			10	6...33	300					
			10	6...28	350					

Features

- IP20 independent isolated driver, for indoor use
- 1 channel constant current output
- Different intelligent control interfaces optional: DALI, Triac, 0/1-10V, AC Push
- Multi-current selectable by DIP switch
- Smooth and deep dimming to 1%
- Supplied with terminal cover and cable retainer
- Built-in active PFC function
- Class II protection against electric shock for direct or indirect contact
- SELV compliant
- Protections:
 - against overheating and short circuits;
 - against mains voltage spikes;
 - against overloads;
- Suitable for use on normally flammable surfaces
- Withstand voltage: I/P-O/P: 3.75KVAC
- Surge immunity Line-Line 0.5KV

IP 20 **SCREW FIXING**



Different ways of control

Part No.	Features
SRP-TRIAC-10CC Triac dimmable driver	<ul style="list-style-type: none"> • Triac dimmable driver, Built-in triac interface, control single color • Built-in DALI/PUSH interface, DALI-2 certified DT6 device • Compatible with universal DALI masters that support DT6 commands • Built-in 0/1-10V interface, 1 channel 0/1-10V signal input for single color • Error report function

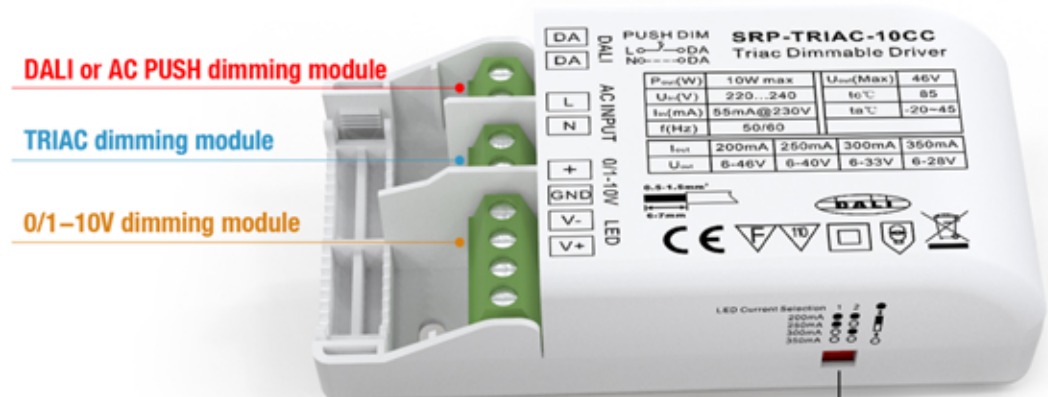
10W Multi-functional Intelligent Dimmable LED Driver

SRP-TRIAC-10CC

4 in 1 Dimm Funktion

DALI
AC PUSH
TRIAC
0/1-10V

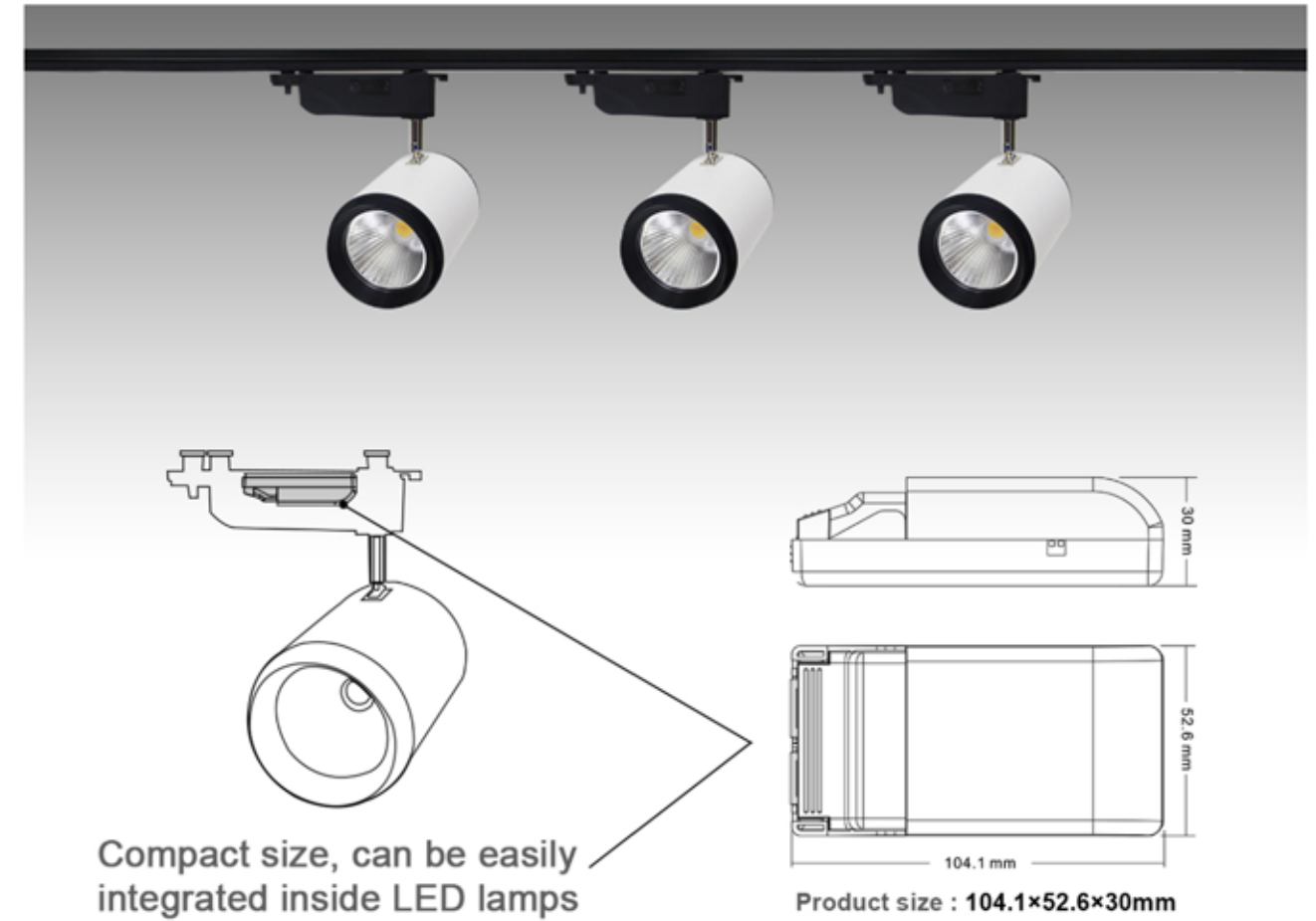
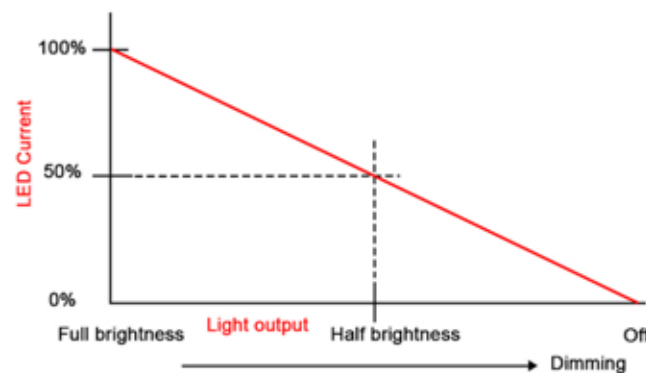
Conforms to LVD safety standards and EMC electro magnetic compatibility requirements



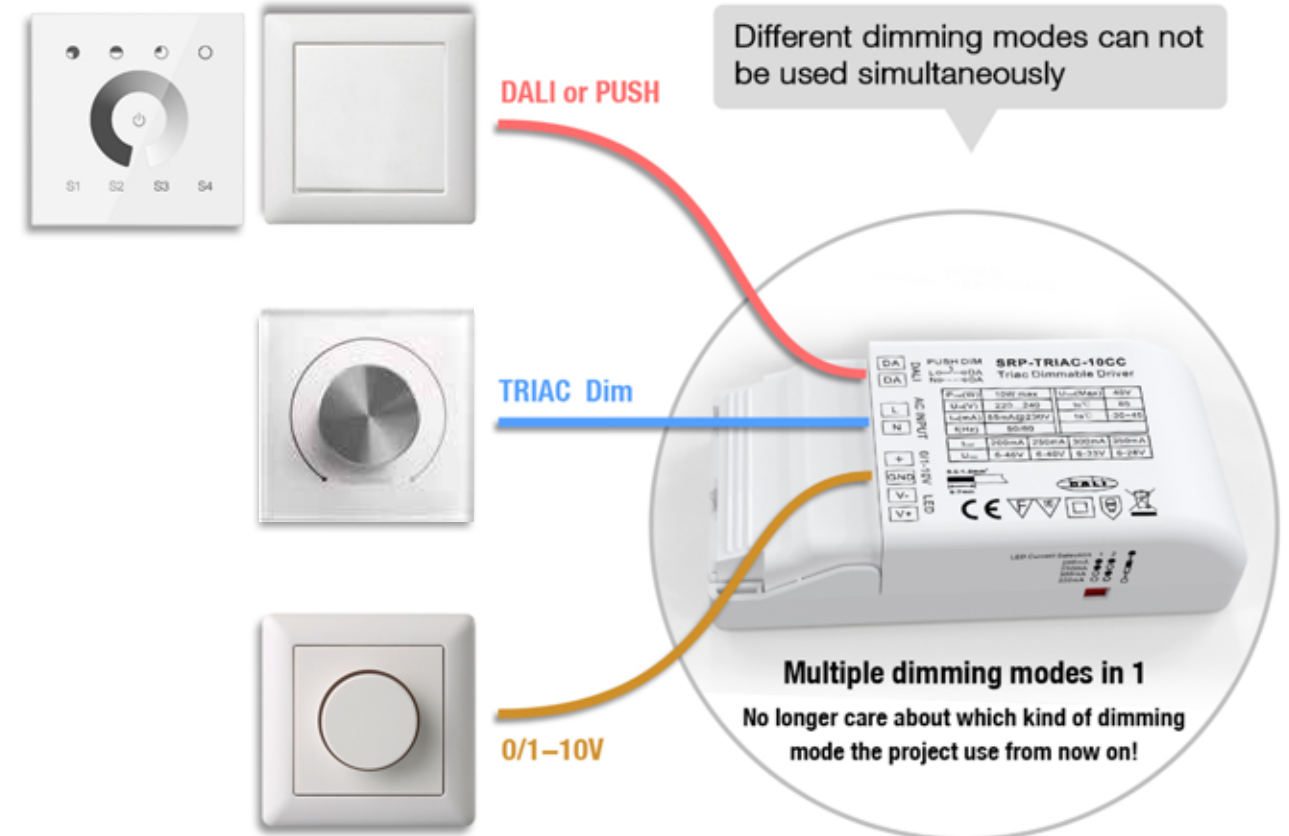
LED Current Selection

LED Current Selection	1	2
200mA	●	○
250mA	○	●
300mA	○	○
350mA	○	○

Multi-current Selectable by DIP, Easier and Cost Saving than PC configuration



Compact size, can be easily integrated inside LED lamps



Multiple dimming modes in 1
No longer care about which kind of dimming mode the project use from now on!